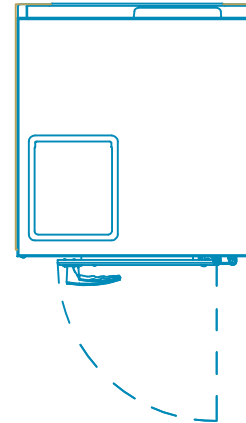
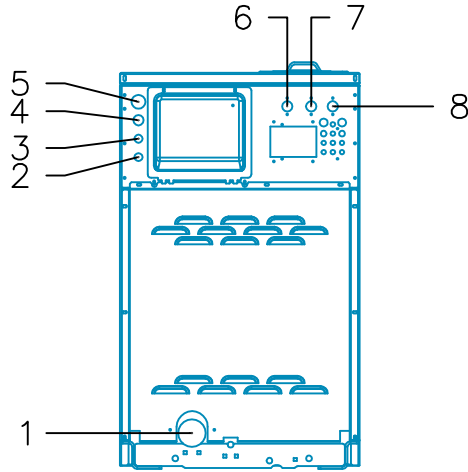


LEGEND:

1: DRAIN OUTLET	5: 1 1/2" ELECTRICAL
2: 7/8" ELECTRICAL	6: COLD FILL VALVE
3: 7/8" ELECTRICAL	7: HOT FILL VALVE
4: 1 1/8" ELECTRICAL	8: COLD HARD FILL VALVE

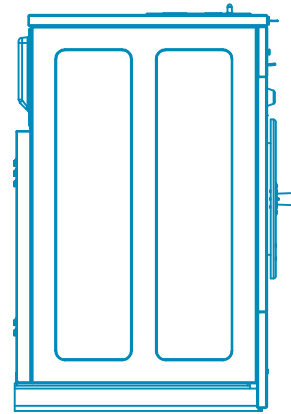


PLAN VIEW



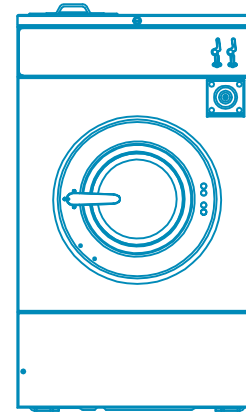
REAR VIEW

26.00"
[660mm]



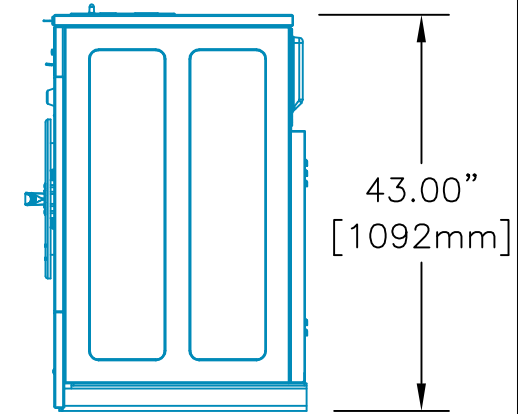
LEFT SIDE VIEW

27.39"
[696mm]



FRONT VIEW

26.00"
[660mm]



RIGHT SIDE VIEW

43.00"
[1092mm]

27.39"
[696mm]

**20 LB. CABINET HARDMOUNT
WASHER-EXTRACTOR**



Equipment specifications are subject to change without notice. Please use this drawing along with the installation manuals for updated equipment installation requirements.

KRP	CAD BLOCK	8-Mar-18
Drawn by	Description	Date